



HOT DOG BUN WARMERS WITH TOGGLE SWITCH

MODELS: BWD-31, BWD-45, BWD-50, BWD-75, BWD-75N



APW Wyott bun warmers provide gentle warmth for hot dog buns, keeping them at an ideal temperature and texture. A slide-out drawer makes access easy for customers and clerks. Simple on/off toggle switch eliminates the temperature fluctuations and incorrect temperature settings.



WARRANTY

APW Wyott Bun Warmers are backed by a 1-year limited warranty and a 1-year on-site labor warranty, including on-site service calls within 50 miles of authorized service technicians

CERTIFICATIONS

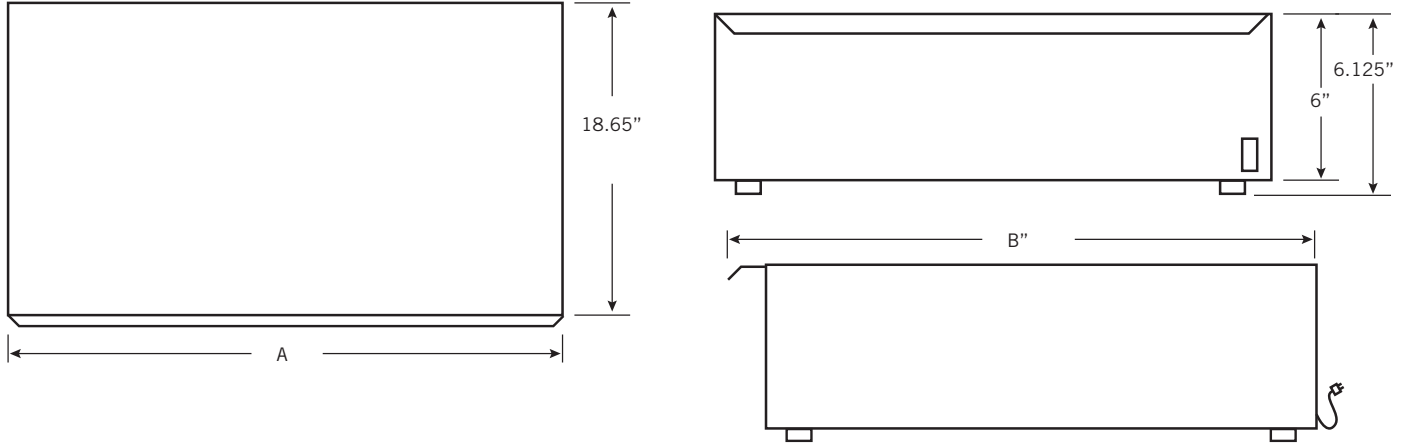
Certified by the following agencies:



FEATURES AT A GLANCE

- Bun warmers are designed to compliment our best selling hot dog roller grill products
- Energy Savings! 60% more efficient than standard bun warmers
- Available in a variety of sizes to fit your counter space:
 - BWD-31 and BWD-50 (Use with HR(S)31(S)-50(S) Roller Grills)
 - BWD-45 and BWD-75 with spacer (Use with HR(S)-45(S)-75(S) Roller Grills)
 - BWD-75N (Use to fit between legs of HR(s)-75(S) roller grills with 6" legs)
- BWD-45 and BWD-75N include spacer adapter to fit HRS-45 and HRS-75W/5T Roller Grill
- Simple on/off operation sets temperature perfectly without adjustment
- Distributes warming heat evenly through the drawer area
- Keep your product packaged in cabinet to maintain moistness and shelf life
- Optimum heating range of 100-110° (simple single switch operation)
- A variety of fresh grilled merchandising graphics are available or contact APW Wyott headquarters for merchandising packages

EQUIPMENT DIMENSIONS



MECHANICAL SPECIFICATIONS

Model #	Bun Capacity	Volts	Wats	Amps	Plug	Overall Dimensions Width (A) x Height* x Depth (B)** (inches / mm)	Ship Weight (lbs. / Kilos)
BWD-31	24	120	200	1.7	5-15	23.75" x 6.125" x 19.625" (603 x 156 x 498.5)	65 (29.48 kg)
	24	208	200	1.1	6-15	23.75" x 6.125" x 19.625" (603 x 156 x 498.5)	65 (29.48 kg)
BWD-45	24	120	200	1.7	5-15	23.75" x 6.125" x 30.5" (603 x 156 x 775)	68 (30.8 kg)
	24	208	200	1.1	6-15	23.75" x 6.125" x 30.5" (603 x 156 x 775)	68 (30.8 kg)
BWD-50	40	120	200	1.7	5-15	34.75" x 6.125" x 19.625" (883 x 156 x 498.5)	91 (41.28 kg)
	40	208/240	200/265	1.1	6-15	34.75" x 6.125" x 19.625" (883 x 156 x 498.5)	91 (41.28 kg)
BWD-75N	32	208/240	200/265	1.1	6-15	31.75" x 6.125" x 19.625" (806.5 x 156 x 498.5)	98 (44.45 kg)
BWD-75	40	208	200	1.1	6-15	34.75" x 6.125" x 19.625" (883 x 156 x 498.5)	98 (44.45 kg)

*Height includes rubber legs. **Depth includes drawer handle.

ELECTRICAL INFORMATION

All 120V units come with 72" power cord that terminates with a NEMA 5-15P plug. The 208V comes with a 72" power cord with a NEMA 6-15P plug.

Freight Class: 100
 FOB: Smithville 37166

APW Wyott reserves the right to modify specifications or discontinue models without incurring obligation. Dimensions nominal.